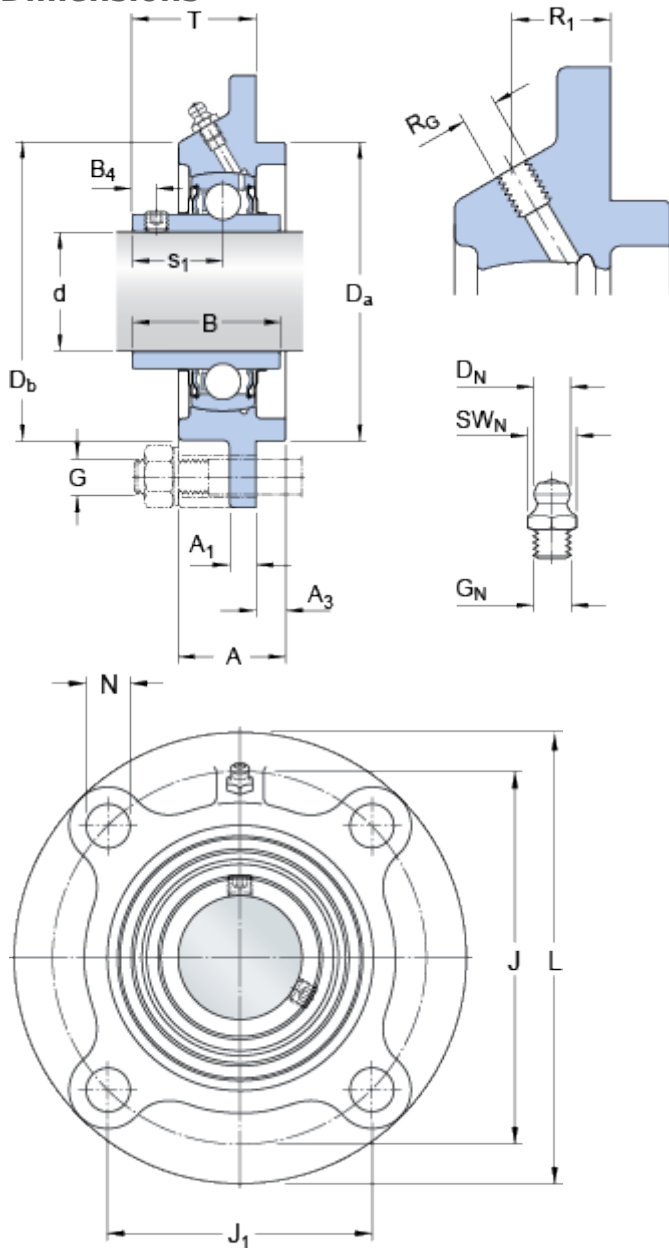


FYC 60 TF

Housing material

Cast iron

Dimensions



d	60	mm
A	48	mm
A ₁	15	mm
A ₃	12	mm
B	65.1	mm
B ₄	10	mm
D _a	h8 135	mm
D _b	137.1	mm
J	160	mm
J ₁	113.1	mm
L	195	mm
N	19	mm
s ₁	39.7	mm
T	56.7	mm

Threaded hole

R_G 1/4-28 UNF

R₁ 24.5 mm

Grease fitting

D_N 6.5 mm

SW_N 7 mm

G_N 1/4-28 SAE-LT

Calculation data

Basic dynamic load rating	C	52.7	kN
Basic static load rating	C	36	kN
Fatigue load limit	P _u	1.53	kN
Limiting speed with shaft tolerance h6		3400	r/min

Mass

Mass unit 4.8 kg

Mounting information

Thread grub screw	G ₂	M10x1
Hexagonal key size for grub screw	N	5 mm
Recommended tightening torque for grub screw		16.5 N·m

Recommended diameter for attachment bolts, mm	G	16	mm
Recommended diameter for attachment bolts, inch	G	0.625	in

Appertaining products

Bearing	YAR 212-2F
Housing	FYC 512