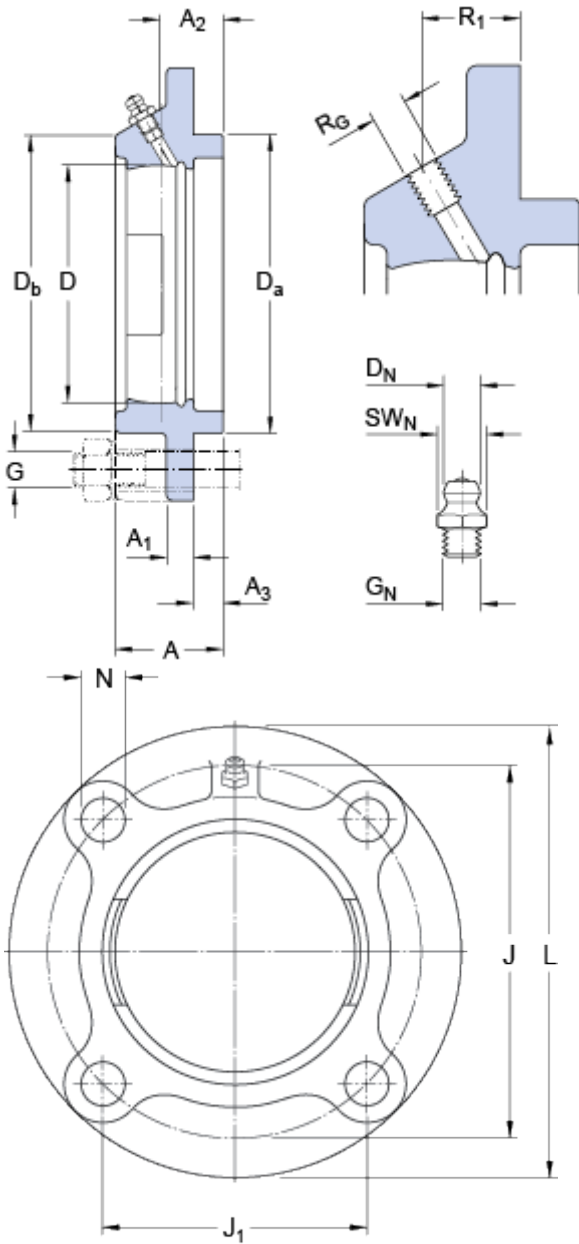


FYC 510

Dimensions



D	90	mm
D _a	h8 110	mm
D _b	113.1	mm
A	39.5	mm
A ₁	14	mm
A ₂	22	mm
A ₃	12	mm
J	138	mm
J ₁	97.6	mm
L	165	mm
N	16	mm

Threaded hole

R _G	1/4-28 UNF
R ₁	22 mm

Grease fitting

D _N	6.5	mm
SW _N	7	mm
G _N	1/4-28 SAE-LT	

Mass

Mass housing	2.15	kg
--------------	------	----

Mounting information

Recommended diameter for attachment bolts, mm	G	14	mm
Recommended diameter for attachment bolts, inch	G	0.5625	in