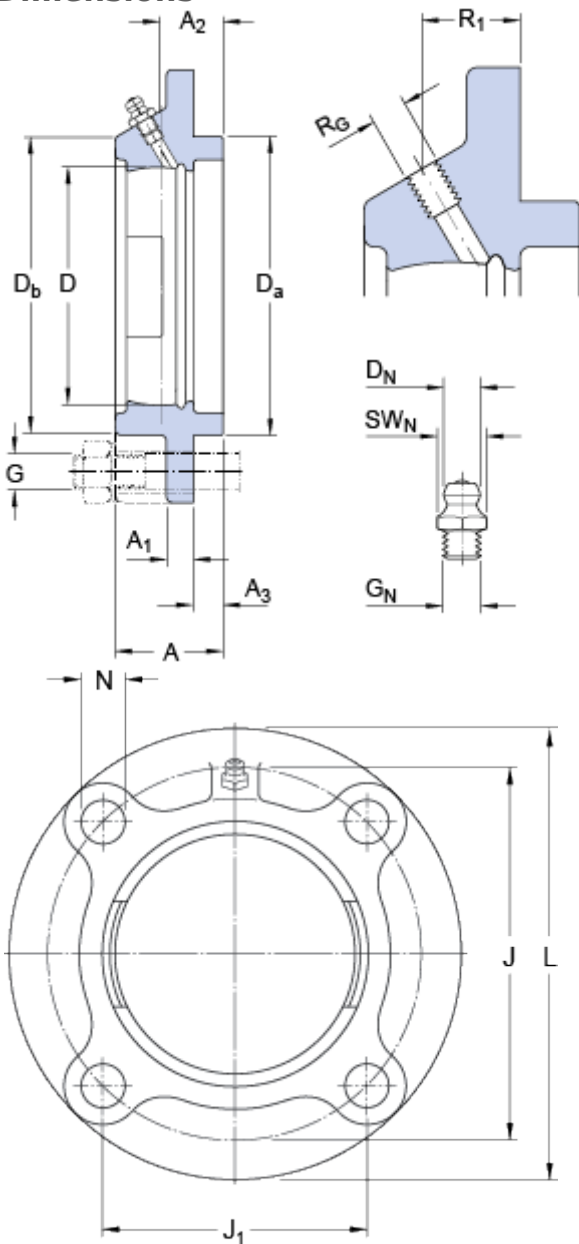


# FYC 508

## Dimensions



D	80	mm
$D_a$	h8 100	mm
$D_b$	100.1	mm
A	35.5	mm
$A_1$	9	mm
$A_2$	21	mm
$A_3$	10	mm
J	120	mm
$J_1$	84.9	mm
L	145	mm
N	14	mm

### Threaded hole

$R_G$	1/4-28 UNF
$R_1$	17 mm

### Grease fitting

$D_N$	6.5 mm
$SW_N$	7 mm
$G_N$	1/4-28 SAE-LT

## Mass

Mass housing	1.3	kg
--------------	-----	----

## Mounting information

Recommended diameter for attachment bolts, mm	G	12	mm
Recommended diameter for attachment bolts, inch	G	0.5	in