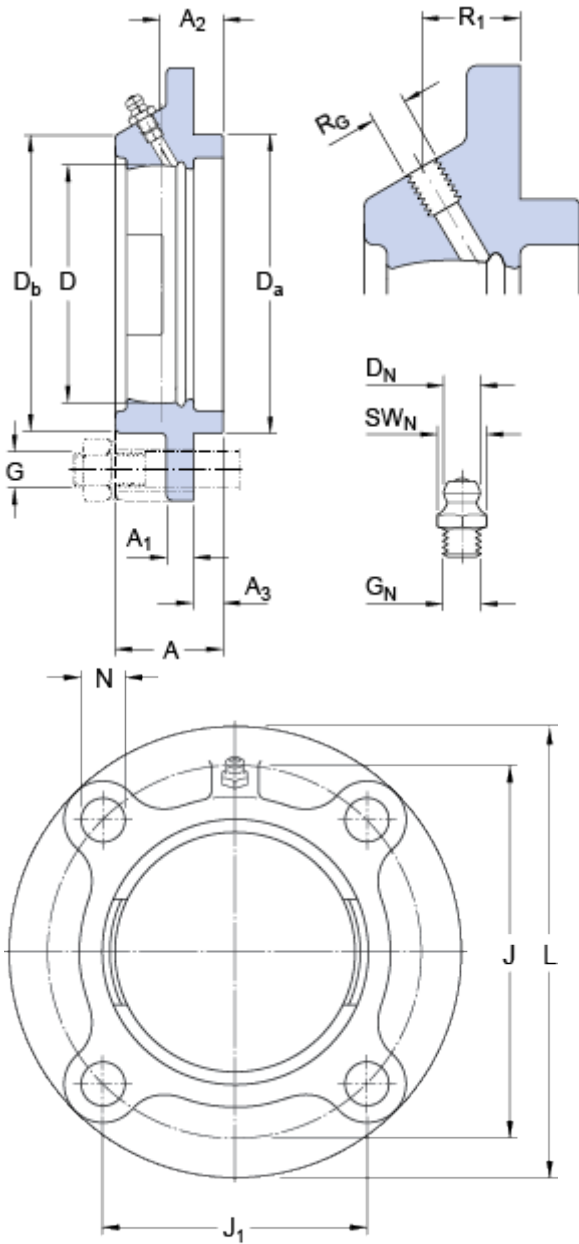


FYC 504

Dimensions



D		47	mm
D_a	h8	62	mm
D_b		61	mm
A		25.5	mm
A_1		7	mm
A_2		15	mm
A_3		5	mm
J		78	mm
J_1		55.2	mm
L		100	mm
N		12	mm

Threaded hole

R_G		1/4-28 UNF	
R_1		14.5	mm

Grease fitting

D_N		6.5	mm
SW_N		7	mm
G_N		1/4-28 SAE-LT	

Mass

Mass housing	0.53	kg
--------------	------	----

Mounting information

Recommended diameter for attachment bolts, mm	G	10	mm
Recommended diameter for attachment bolts, inch	G	0.375	in