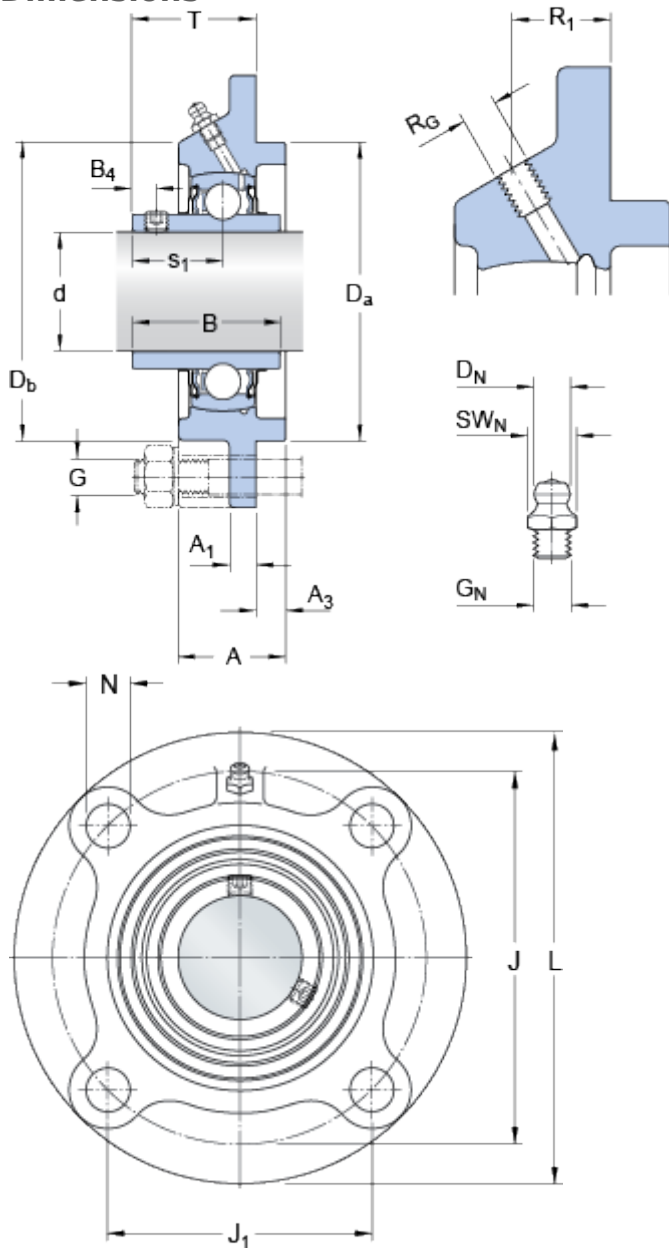


FYC 40 TF

Housing material

Cast iron

Dimensions



d	40	mm
A	35.5	mm
A ₁	9	mm
A ₃	10	mm
B	49.2	mm
B ₄	8	mm
D _a	h8 100	mm
D _b	100.1	mm
J	120	mm
J ₁	84.9	mm
L	145	mm
N	14	mm
s ₁	30.2	mm
T	41.2	mm

Threaded hole

R_G 1/4-28 UNF

R₁ 17 mm

Grease fitting

D_N 6.5 mm

SW_N 7 mm

G_N 1/4-28 SAE-LT

Calculation data

Basic dynamic load rating	C	30.7	kN
Basic static load rating	C	19	kN
Fatigue load limit	P _u	0.8	kN
Limiting speed with shaft tolerance h6		4800	r/min

Mass

Mass unit 1.85 kg

Mounting information

Thread grub screw	G ₂	M8x1
Hexagonal key size for grub screw	N	4 mm
Recommended tightening torque for grub screw		6.5 N·m

Recommended diameter for attachment bolts, mm	G	12	mm
Recommended diameter for attachment bolts, inch	G	0.5	in

Appertaining products

Bearing	YAR 208-2F
Housing	FYC 508