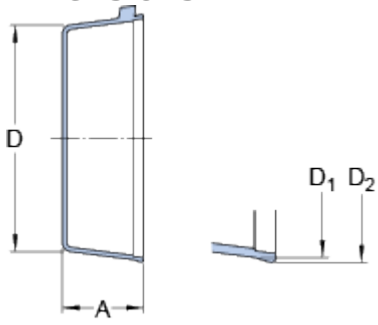


ECY 209

Dimensions



A	29	mm
D	81.4	mm
D ₁	88	mm
D ₂	89.5	mm

Mass

Mass end cover

0.02

kg