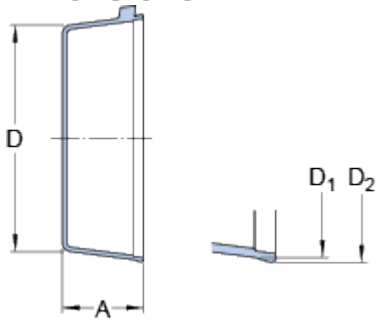


# ECY 208

## Dimensions



A	28.5	mm
D	76.5	mm
D <sub>1</sub>	83	mm
D <sub>2</sub>	84.5	mm

## Mass

Mass end cover

0.02

kg