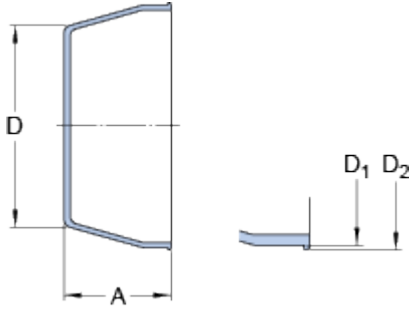


ECL 208

Dimensions



| | | |
|----------------|------|----|
| A | 37 | mm |
| D | 70.1 | mm |
| D ₁ | 84 | mm |
| D ₂ | 84.8 | mm |

Mass

Mass end cover

0.02

kg