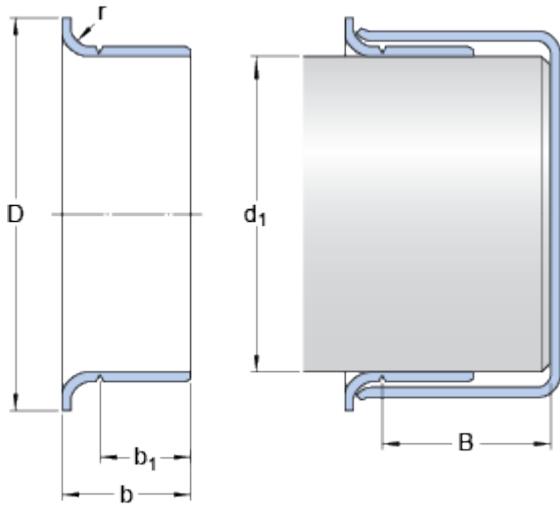


99499

Dimensions



Shaft diameter range

d_1	min.	126.949	mm
-------	------	---------	----

d_1	max.	127.178	mm
-------	------	---------	----

Nominal dimensions

d_1		127	mm
-------	--	-----	----

D		136.906	mm
-----	--	---------	----

	\pm	1.6	mm
--	-------	-----	----

b		25.4	mm
-----	--	------	----

	\pm	0.8	mm
--	-------	-----	----

b_1		20.65	mm
-------	--	-------	----

	\pm	0.8	mm
--	-------	-----	----

B	max.	36.525	mm
-----	------	--------	----

r	max.	3.18	mm
-----	------	------	----