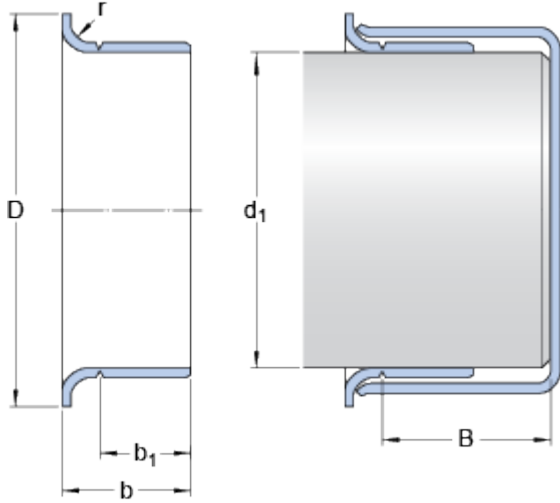


99435

Dimensions



Shaft diameter range

d_1	min.	109.906	mm
-------	------	---------	----

d_1	max.	110.109	mm
-------	------	---------	----

Nominal dimensions

d_1		110	mm
-------	--	-----	----

D		124.993	mm
-----	--	---------	----

	\pm	1.6	mm
--	-------	-----	----

b		16.51	mm
-----	--	-------	----

	\pm	0.8	mm
--	-------	-----	----

b_1		12.929	mm
-------	--	--------	----

	\pm	0.8	mm
--	-------	-----	----

B	max.	31.75	mm
-----	------	-------	----

r	max.	3.18	mm
-----	------	------	----