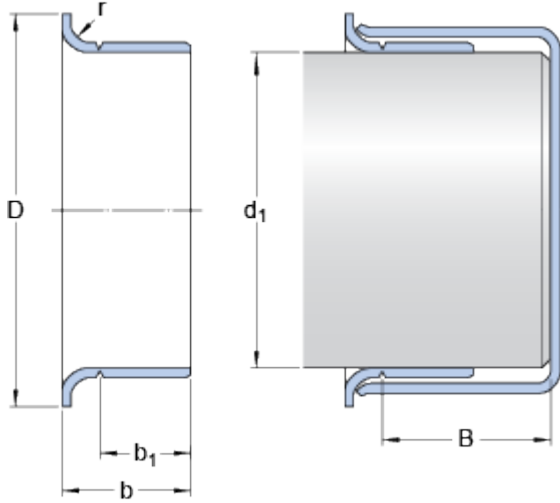


99369

Dimensions



Shaft diameter range

d_1	min.	94.92	mm
-------	------	-------	----

d_1	max.	95.098	mm
-------	------	--------	----

Nominal dimensions

d_1		95	mm
-------	--	----	----

D		102.235	mm
-----	--	---------	----

	\pm	1.6	mm
--	-------	-----	----

b		24.003	mm
-----	--	--------	----

	\pm	0.8	mm
--	-------	-----	----

b_1		21.006	mm
-------	--	--------	----

	\pm	0.8	mm
--	-------	-----	----

B	max.	45.72	mm
-----	------	-------	----

r	max.	3.18	mm
-----	------	------	----