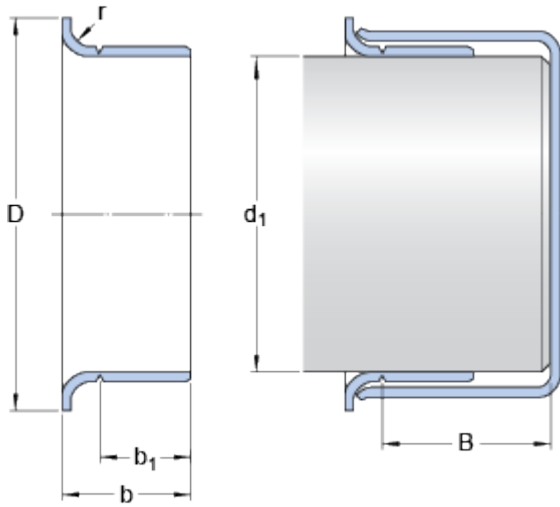


# 99364

## Dimensions



### Shaft diameter range

$d_1$	min.	94.996	mm
-------	------	--------	----

$d_1$	max.	95.174	mm
-------	------	--------	----

### Nominal dimensions

$d_1$		95.072	mm
-------	--	--------	----

$D$		102.489	mm
-----	--	---------	----

	$\pm$	1.6	mm
--	-------	-----	----

$b$		15.088	mm
-----	--	--------	----

	$\pm$	0.8	mm
--	-------	-----	----

$b_1$		11.913	mm
-------	--	--------	----

	$\pm$	0.8	mm
--	-------	-----	----

$B$	max.	45.72	mm
-----	------	-------	----

$r$	max.	3.18	mm
-----	------	------	----