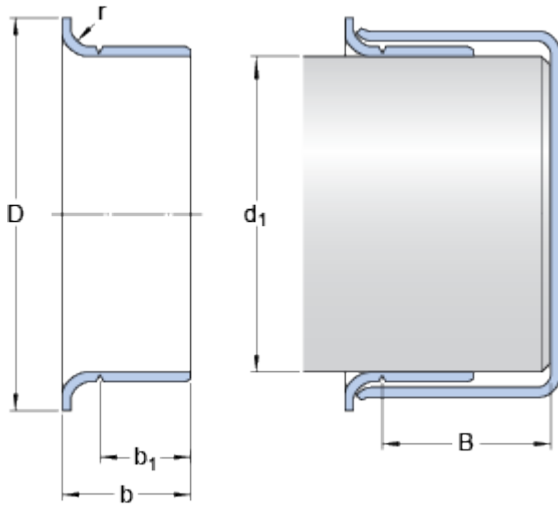


99322

Dimensions



Shaft diameter range

d_1	min.	82.474	mm
-------	------	--------	----

d_1	max.	82.652	mm
-------	------	--------	----

Nominal dimensions

d_1		82.55	mm
-------	--	-------	----

D		91.288	mm
-----	--	--------	----

	\pm	1.6	mm
--	-------	-----	----

b		25.4	mm
-----	--	------	----

	\pm	0.8	mm
--	-------	-----	----

b_1		20.65	mm
-------	--	-------	----

	\pm	0.8	mm
--	-------	-----	----

B	max.	34.925	mm
-----	------	--------	----

r	max.	3.18	mm
-----	------	------	----