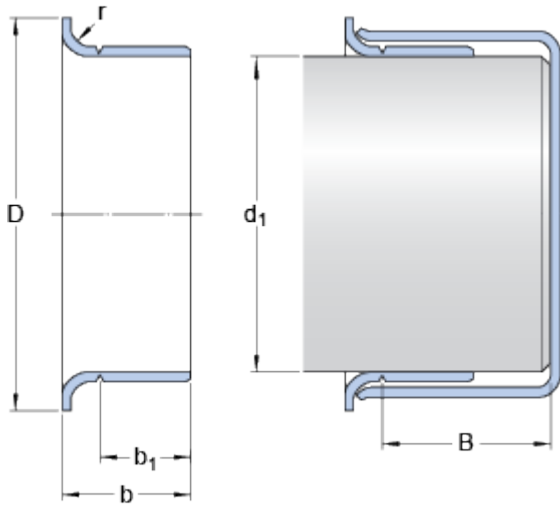


# 99231

## Dimensions



### Shaft diameter range

$d_1$	min.	58.649	mm
-------	------	--------	----

$d_1$	max.	58.801	mm
-------	------	--------	----

### Nominal dimensions

$d_1$		58.75	mm
-------	--	-------	----

$D$		68.275	mm
-----	--	--------	----

	$\pm$	1.6	mm
--	-------	-----	----

$b$		23.825	mm
-----	--	--------	----

	$\pm$	0.8	mm
--	-------	-----	----

$b_1$		19.837	mm
-------	--	--------	----

	$\pm$	0.8	mm
--	-------	-----	----

$B$	max.	34.925	mm
-----	------	--------	----

$r$	max.	3.18	mm
-----	------	------	----