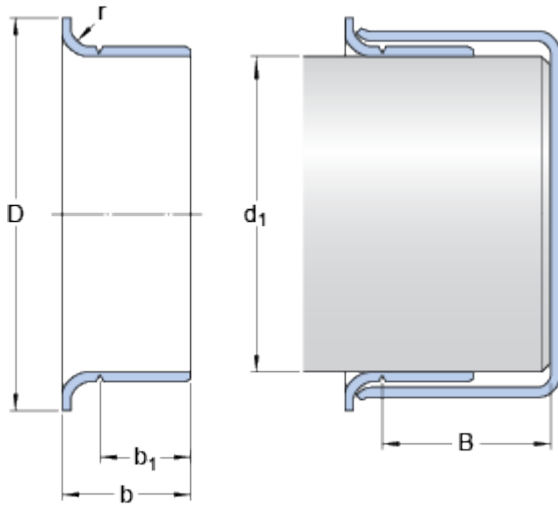


# 99225

## Dimensions



### Shaft diameter range

$d_1$	min.	57.125	mm
-------	------	--------	----

$d_1$	max.	57.277	mm
-------	------	--------	----

### Nominal dimensions

$d_1$		57.15	mm
-------	--	-------	----

$D$		64.287	mm
-----	--	--------	----

	$\pm$	1.6	mm
--	-------	-----	----

$b$		23.825	mm
-----	--	--------	----

	$\pm$	0.8	mm
--	-------	-----	----

$b_1$		19.837	mm
-------	--	--------	----

	$\pm$	0.8	mm
--	-------	-----	----

$B$	max.	33.35	mm
-----	------	-------	----

$r$	max.	3.18	mm
-----	------	------	----