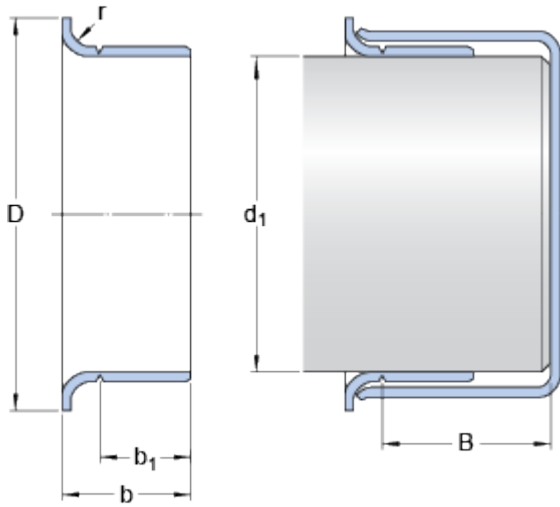


99172

Dimensions



Shaft diameter range

d_1	min.	44.374	mm
-------	------	--------	----

d_1	max.	44.526	mm
-------	------	--------	----

Nominal dimensions

d_1		44.45	mm
-------	--	-------	----

D		52.197	mm
---	--	--------	----

	\pm	1.6	mm
--	-------	-----	----

b		12.7	mm
---	--	------	----

	\pm	0.8	mm
--	-------	-----	----

b_1		9.525	mm
-------	--	-------	----

	\pm	0.8	mm
--	-------	-----	----

B	max.	20.65	mm
---	------	-------	----

r	max.	3.18	mm
---	------	------	----