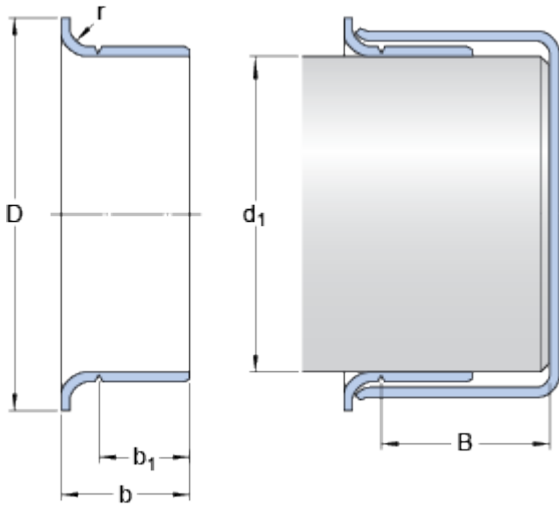


99170

Dimensions



Shaft diameter range

d_1	min.	44.094	mm
-------	------	--------	----

d_1	max.	44.247	mm
-------	------	--------	----

Nominal dimensions

d_1		44.171	mm
-------	--	--------	----

D		52.4	mm
-----	--	------	----

	\pm	1.6	mm
--	-------	-----	----

b		12.7	mm
-----	--	------	----

	\pm	0.8	mm
--	-------	-----	----

b_1		9.525	mm
-------	--	-------	----

	\pm	0.8	mm
--	-------	-----	----

B	max.	20.65	mm
-----	------	-------	----

r	max.	3.18	mm
-----	------	------	----