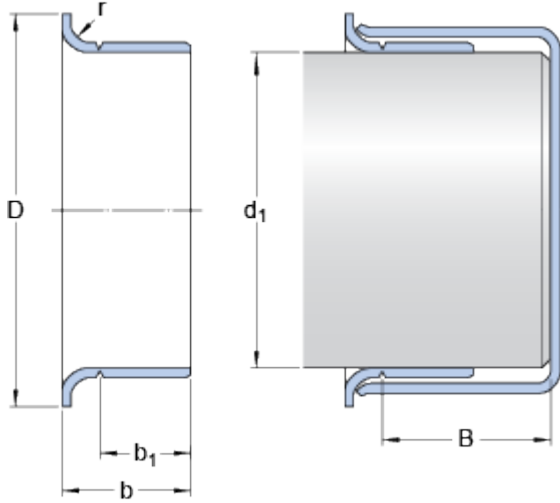


99162

Dimensions



Shaft diameter range

d_1	min.	41.199	mm
-------	------	--------	----

d_1	max.	41.351	mm
-------	------	--------	----

Nominal dimensions

d_1		41.275	mm
-------	--	--------	----

D		47.625	mm
-----	--	--------	----

	\pm	1.6	mm
--	-------	-----	----

b		17.475	mm
-----	--	--------	----

	\pm	0.8	mm
--	-------	-----	----

b_1		14.3	mm
-------	--	------	----

	\pm	0.8	mm
--	-------	-----	----

B	max.	20.65	mm
-----	------	-------	----

r	max.	3.18	mm
-----	------	------	----