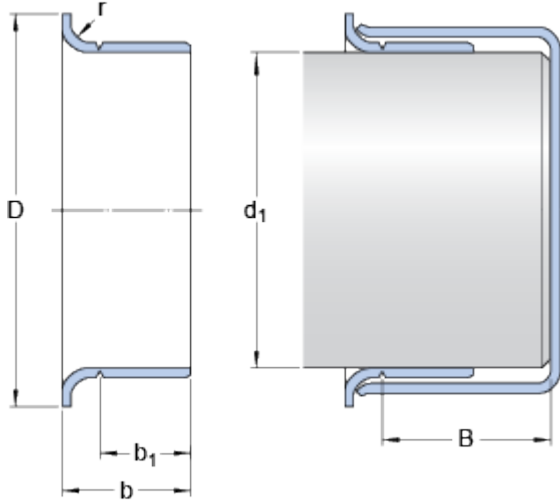


99156

Dimensions



Shaft diameter range

d_1	min.	39.599	mm
-------	------	--------	----

d_1	max.	39.751	mm
-------	------	--------	----

Nominal dimensions

d_1		39.675	mm
-------	--	--------	----

D		47.219	mm
-----	--	--------	----

	\pm	1.6	mm
--	-------	-----	----

b		17.475	mm
-----	--	--------	----

	\pm	0.8	mm
--	-------	-----	----

b_1		14.3	mm
-------	--	------	----

	\pm	0.8	mm
--	-------	-----	----

B	max.	25.806	mm
-----	------	--------	----

r	max.	3.18	mm
-----	------	------	----