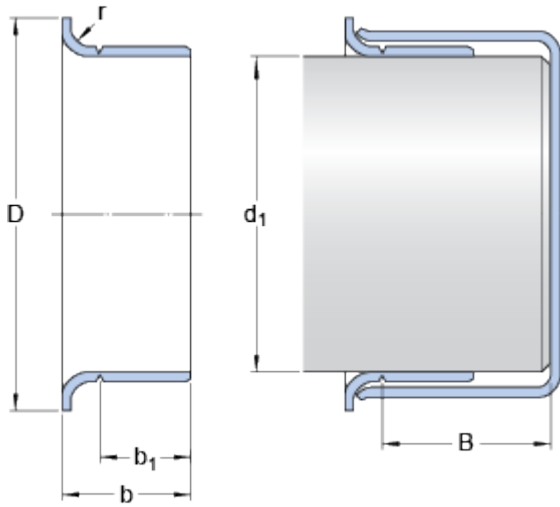


99139

Dimensions



Shaft diameter range

d_1	min.	34.925	mm
-------	------	--------	----

d_1	max.	35.077	mm
-------	------	--------	----

Nominal dimensions

d_1		34.925	mm
-------	--	--------	----

D		41.605	mm
-----	--	--------	----

\pm		1.6	mm
-------	--	-----	----

b		16.002	mm
-----	--	--------	----

\pm		0.8	mm
-------	--	-----	----

b_1		13.005	mm
-------	--	--------	----

\pm		0.8	mm
-------	--	-----	----

B	max.	20.65	mm
-----	------	-------	----

r	max.	3.18	mm
-----	------	------	----