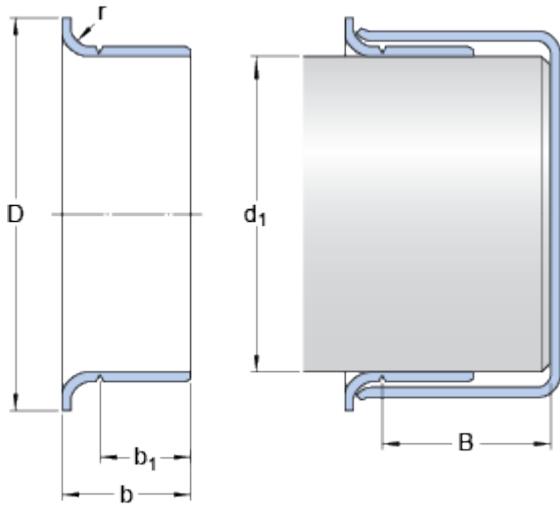


99068

Dimensions



Shaft diameter range

d_1	min.	16.942	mm
-------	------	--------	----

d_1	max.	17.043	mm
-------	------	--------	----

Nominal dimensions

d_1		17	mm
-------	--	----	----

D		22.225	mm
-----	--	--------	----

	\pm	1.6	mm
--	-------	-----	----

b		10.998	mm
-----	--	--------	----

	\pm	0.8	mm
--	-------	-----	----

b_1		8.001	mm
-------	--	-------	----

	\pm	0.8	mm
--	-------	-----	----

B	max.	50.8	mm
-----	------	------	----

r	max.	3.18	mm
-----	------	------	----