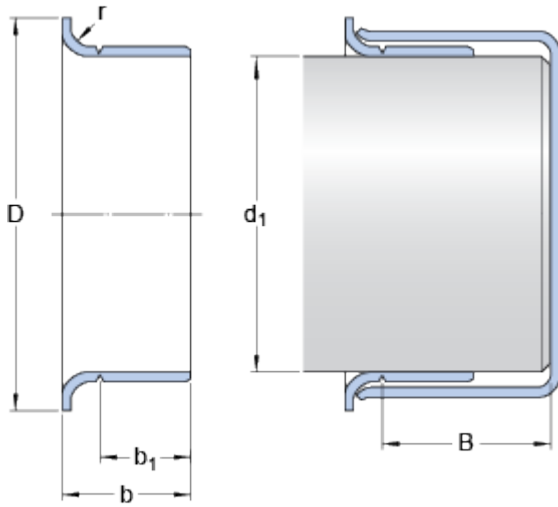


99059

Dimensions



Shaft diameter range

d_1	min.	14.961	mm
-------	------	--------	----

d_1	max.	15.062	mm
-------	------	--------	----

Nominal dimensions

d_1		15	mm
-------	--	----	----

D		19.05	mm
-----	--	-------	----

	\pm	1.6	mm
--	-------	-----	----

b		8.992	mm
-----	--	-------	----

	\pm	0.8	mm
--	-------	-----	----

b_1		5.004	mm
-------	--	-------	----

	\pm	0.8	mm
--	-------	-----	----

B	max.	47.295	mm
-----	------	--------	----

r	max.	3.18	mm
-----	------	------	----