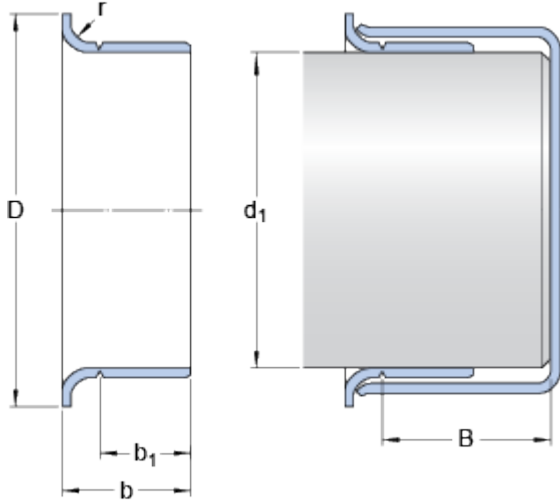


99056

Dimensions



Shaft diameter range

d_1	min.	14.224	mm
-------	------	--------	----

d_1	max.	14.326	mm
-------	------	--------	----

Nominal dimensions

d_1		14.3	mm
-------	--	------	----

D		19.05	mm
-----	--	-------	----

	\pm	1.6	mm
--	-------	-----	----

b		9.931	mm
-----	--	-------	----

	\pm	0.8	mm
--	-------	-----	----

b_1		6.35	mm
-------	--	------	----

	\pm	0.8	mm
--	-------	-----	----

B	max.	46.507	mm
-----	------	--------	----

r	max.	3.18	mm
-----	------	------	----