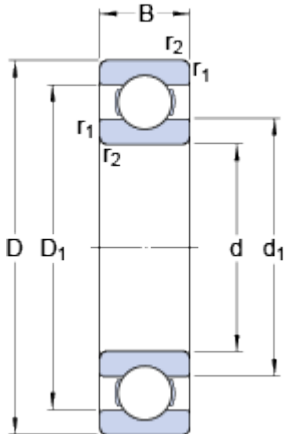


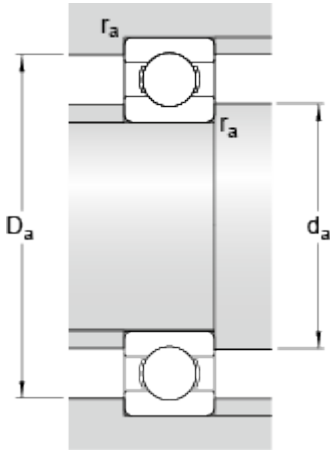
6405

Dimensions



d		25	mm
D		80	mm
B		21	mm
d ₁	≈	45.42	mm
D ₁	≈	62.9	mm
r _{1,2}	min.	1.5	mm

Abutment dimensions



d _a	min.	34	mm
D _a	max.	71	mm
r _a	max.	1.5	mm

Calculation data

Basic dynamic load rating	C	35.8	kN
Basic static load rating	C	19.3	kN
Fatigue load limit	P _u	0.815	kN
Reference speed		20000	r/min
Limiting speed		13000	r/min
Calculation factor	k _r	0.035	
Calculation factor	f	12.1	

Mass

Mass bearing		0.54	kg
--------------	--	------	----