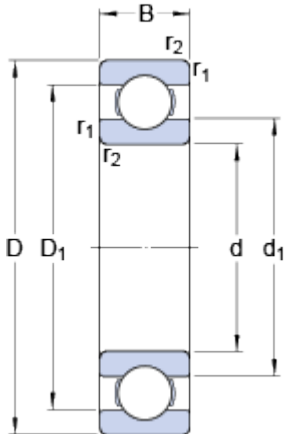


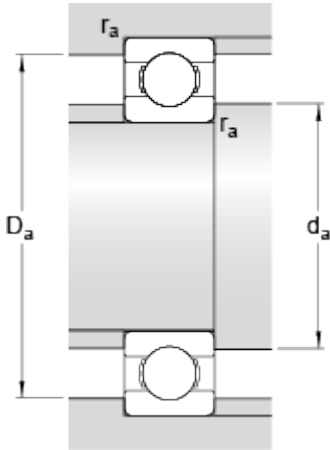
6240

Dimensions



d	200	mm
D	360	mm
B	58	mm
d ₁	≈ 254.6	mm
D ₁	≈ 302.45	mm
r _{1,2}	min. 4	mm

Abutment dimensions



d _a	min.	217	mm
D _a	max.	343	mm
r _a	max.	3	mm

Calculation data

Basic dynamic load rating	C	270	kN
Basic static load rating	C	310	kN
Fatigue load limit	P _u	7.8	kN
Reference speed		3600	r/min
Limiting speed		2200	r/min
Calculation factor	k _r	0.025	
Calculation factor	f	15.2	

Mass

Mass bearing		23.7	kg
--------------	--	------	----