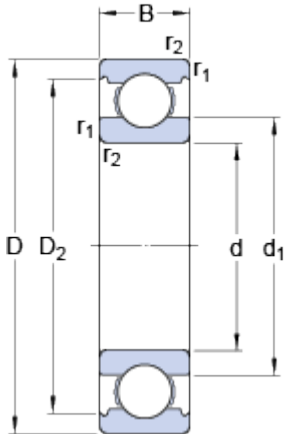


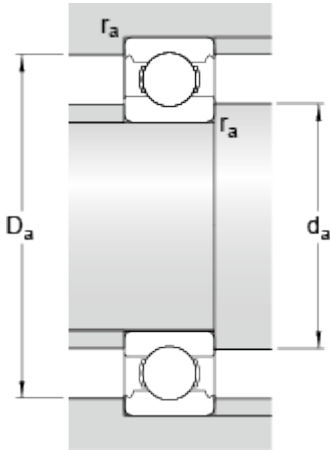
6030

Dimensions



d		150	mm
D		225	mm
B		35	mm
d ₁	≈	174.15	mm
D ₂	≈	205.3	mm
r _{1,2}	min.	2.1	mm

Abutment dimensions



d _a	min.	160	mm
D _a	max.	215	mm
r _a	max.	2	mm

Calculation data

Basic dynamic load rating	C	125	kN
Basic static load rating	C	125	kN
Fatigue load limit	P _u	3.9	kN
Reference speed		6000	r/min
Limiting speed		3800	r/min
Calculation factor	k _r	0.025	
Calculation factor	f	15.9	

Mass

Mass bearing		4.29	kg
--------------	--	------	----