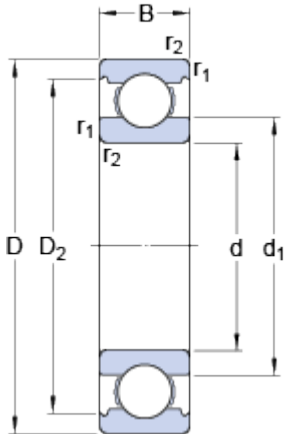


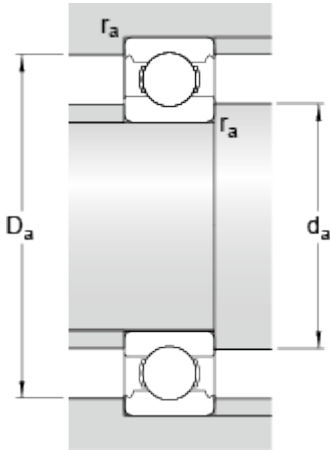
6028

Dimensions



d		140	mm
D		210	mm
B		33	mm
d ₁	≈	162.6	mm
D ₂	≈	191.5	mm
r _{1,2}	min.	2	mm

Abutment dimensions



d _a	min.	149	mm
D _a	max.	201	mm
r _a	max.	2	mm

Calculation data

Basic dynamic load rating	C	111	kN
Basic static load rating	C	108	kN
Fatigue load limit	P _u	3.45	kN
Reference speed		6700	r/min
Limiting speed		4000	r/min
Calculation factor	k _r	0.025	
Calculation factor	f	16	

Mass

Mass bearing		3.45	kg
--------------	--	------	----