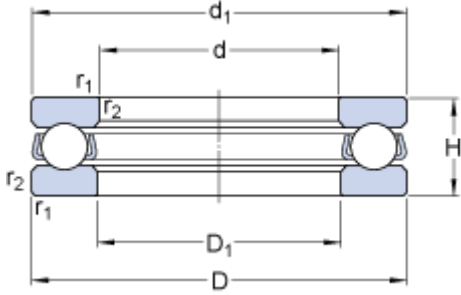


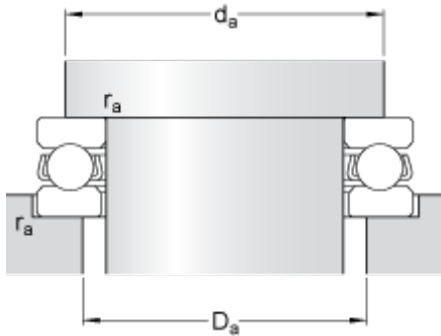
# 51101

## Dimensions



|           |      |     |    |
|-----------|------|-----|----|
| $d$       |      | 12  | mm |
| $D$       |      | 26  | mm |
| $H$       |      | 9   | mm |
| $d_1$     | ≈    | 26  | mm |
| $D_1$     | ≈    | 13  | mm |
| $r_{1,2}$ | min. | 0.3 | mm |

## Abutment dimensions



|       |      |     |    |
|-------|------|-----|----|
| $d_a$ | min. | 21  | mm |
| $D_a$ | max. | 17  | mm |
| $r_a$ | max. | 0.3 | mm |

## Calculation data

|                           |       |        |       |
|---------------------------|-------|--------|-------|
| Basic dynamic load rating | C     | 10.4   | kN    |
| Basic static load rating  | C     | 16.6   | kN    |
| Fatigue load limit        | $P_u$ | 0.62   | kN    |
| Reference speed           |       | 9000   | r/min |
| Limiting speed            |       | 13000  | r/min |
| Minimum load factor       | A     | 0.0014 |       |

## Mass

|   |  |       |    |
|---|--|-------|----|
| Mass bearing (including seat washer where applicable) |  | 0.022 | kg |
|---|--|-------|----|