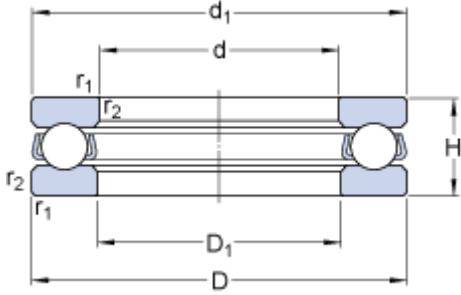


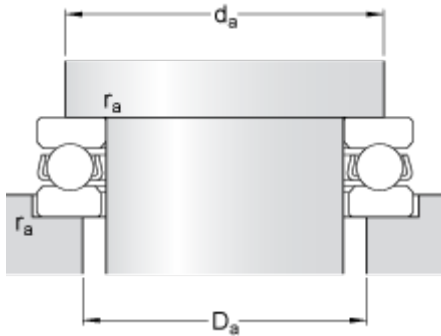
# 51100

## Dimensions



d		10	mm
D		24	mm
H		9	mm
d <sub>1</sub>	≈	24	mm
D <sub>1</sub>	≈	11	mm
r <sub>1,2</sub>	min.	0.3	mm

## Abutment dimensions



d <sub>a</sub>	min.	19	mm
D <sub>a</sub>	max.	15	mm
r <sub>a</sub>	max.	0.3	mm

## Calculation data

Basic dynamic load rating	C	8.71	kN
Basic static load rating	C	12.2	kN
Fatigue load limit	P <sub>u</sub>	0.45	kN
Reference speed		9500	r/min
Limiting speed		13000	r/min
Minimum load factor	A	0.0012	

## Mass

Mass bearing (including seat washer where applicable)		0.02	kg
---	--	------	----