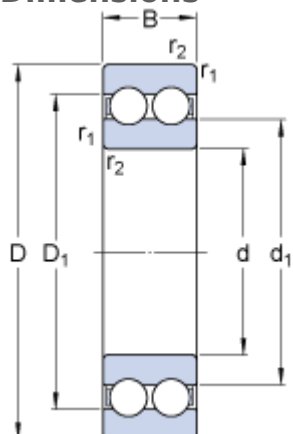


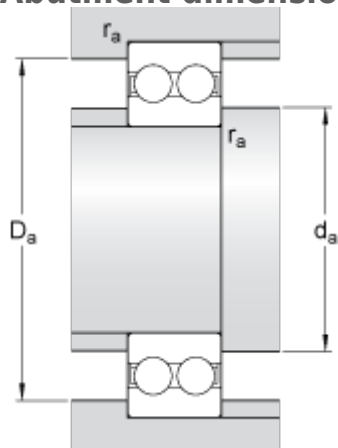
4310 ATN9

Dimensions



d		50	mm
D		110	mm
B		40	mm
d_1	≈	70	mm
D_1	≈	90	mm
$r_{1,2}$	min.	2	mm

Abutment dimensions



d_a	min.	61	mm
D_a	max.	99	mm
r_a	max.	2	mm

Calculation data

Basic dynamic load rating	C	81.9	kN
Basic static load rating	C	69.5	kN
Fatigue load limit	P_u	2.9	kN
Reference speed		10000	r/min
Limiting speed		5300	r/min
Calculation factor	k_r	0.06	
Calculation factor	f	14	

Mass

Mass bearing		1.7	kg
--------------	--	-----	----