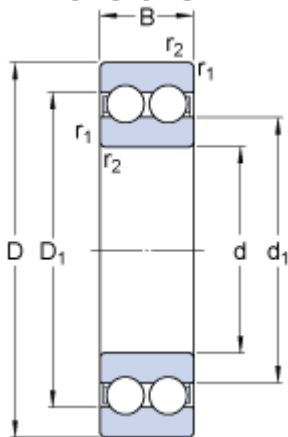


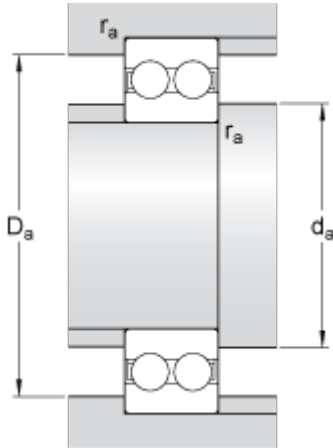
4309 ATN9

Dimensions



d		45	mm
D		100	mm
B		36	mm
d ₁	≈	63.5	mm
D ₁	≈	81.5	mm
r _{1,2}	min.	1.5	mm

Abutment dimensions



d _a	min.	54	mm
D _a	max.	91	mm
r _a	max.	1.5	mm

Calculation data

Basic dynamic load rating	C	68.9	kN
Basic static load rating	C	56	kN
Fatigue load limit	P _u	2.4	kN
Reference speed		11000	r/min
Limiting speed		6000	r/min
Calculation factor	k _r	0.06	
Calculation factor	f	14	

Mass

Mass bearing		1.25	kg
--------------	--	------	----