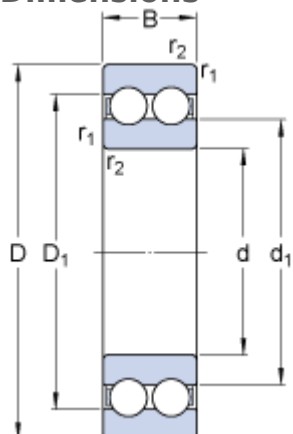


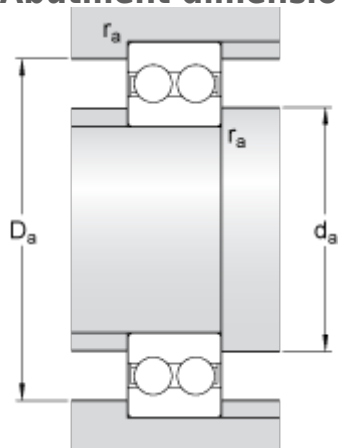
# 4307 ATN9

## Dimensions



$d$		35	mm
$D$		80	mm
$B$		31	mm
$d_1$	≈	49.5	mm
$D_1$	≈	65.4	mm
$r_{1,2}$	min.	1.5	mm

## Abutment dimensions



$d_a$	min.	44	mm
$D_a$	max.	71	mm
$r_a$	max.	1.5	mm

## Calculation data

Basic dynamic load rating	C	50.7	kN
Basic static load rating	C	38	kN
Fatigue load limit	$P_u$	1.63	kN
Reference speed		14000	r/min
Limiting speed		7500	r/min
Calculation factor	$k_r$	0.06	
Calculation factor	f	13.1	

## Mass

Mass bearing		0.68	kg
--------------	--	------	----