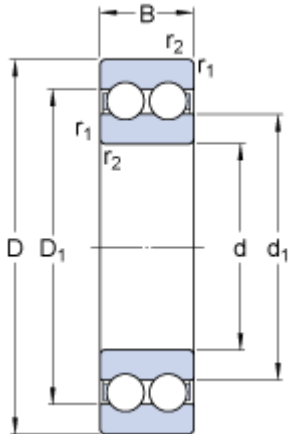


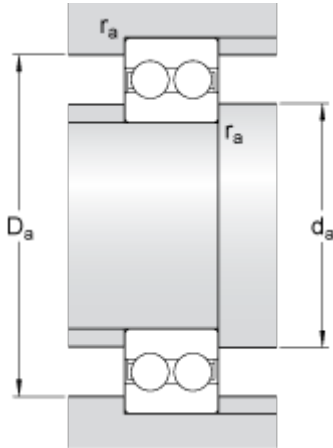
4306 ATN9

Dimensions



d		30	mm
D		72	mm
B		27	mm
d ₁	≈	43.9	mm
D ₁	≈	58.1	mm
r _{1,2}	min.	1.1	mm

Abutment dimensions



d _a	min.	37	mm
D _a	max.	65	mm
r _a	max.	1	mm

Calculation data

Basic dynamic load rating	C	41	kN
Basic static load rating	C	30	kN
Fatigue load limit	P _u	1.27	kN
Reference speed		16000	r/min
Limiting speed		8500	r/min
Calculation factor	k _r	0.06	
Calculation factor	f	13.2	

Mass

Mass bearing		0.5	kg
--------------	--	-----	----