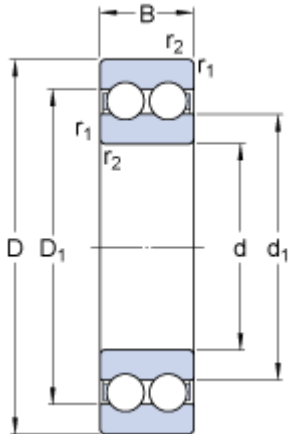


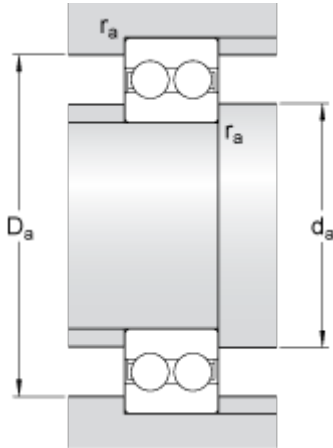
# 4304 ATN9

## Dimensions



d		20	mm
D		52	mm
B		21	mm
d <sub>1</sub>	≈	31.8	mm
D <sub>1</sub>	≈	42.2	mm
r <sub>1,2</sub>	min.	1.1	mm

## Abutment dimensions



d <sub>a</sub>	min.	27	mm
D <sub>a</sub>	max.	45	mm
r <sub>a</sub>	max.	1	mm

## Calculation data

Basic dynamic load rating	C	23.4	kN
Basic static load rating	C	16	kN
Fatigue load limit	P <sub>u</sub>	0.68	kN
Reference speed		22000	r/min
Limiting speed		12000	r/min
Calculation factor	k <sub>r</sub>	0.06	
Calculation factor	f	13.1	

## Mass

Mass bearing		0.21	kg
--------------	--	------	----