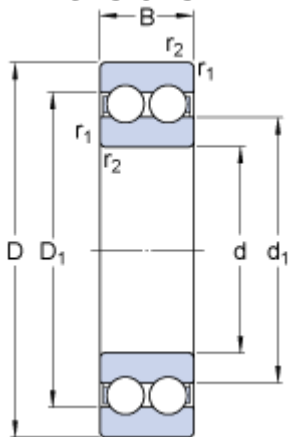


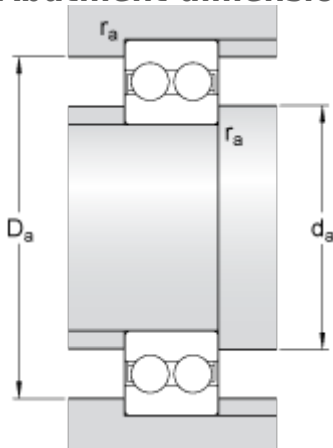
4202 ATN9

Dimensions



d		15	mm
D		35	mm
B		14	mm
d ₁	≈	21.5	mm
D ₁	≈	29	mm
r _{1,2}	min.	0.6	mm

Abutment dimensions



d _a	min.	19.2	mm
D _a	max.	30.8	mm
r _a	max.	0.6	mm

Calculation data

Basic dynamic load rating	C	11.9	kN
Basic static load rating	C	7.5	kN
Fatigue load limit	P _u	0.32	kN
Reference speed		32000	r/min
Limiting speed		17000	r/min
Calculation factor	k _r	0.05	
Calculation factor	f	13.1	

Mass

Mass bearing		0.059	kg
--------------	--	-------	----