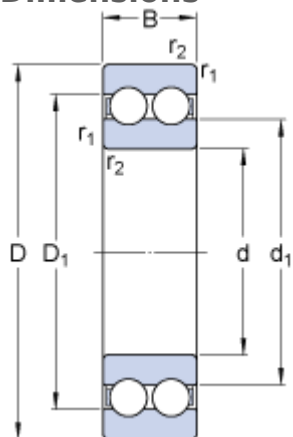


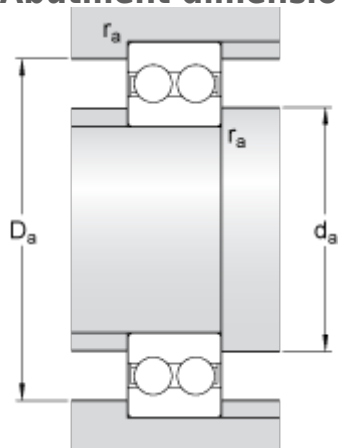
# 4201 ATN9

## Dimensions



d	12	mm
D	32	mm
B	14	mm
d <sub>1</sub>	≈ 18.3	mm
D <sub>1</sub>	≈ 25.7	mm
r <sub>1,2</sub>	min. 0.6	mm

## Abutment dimensions



d <sub>a</sub>	min.	16.2	mm
D <sub>a</sub>	max.	27.8	mm
r <sub>a</sub>	max.	0.6	mm

## Calculation data

Basic dynamic load rating	C	10.6	kN
Basic static load rating	C	6.2	kN
Fatigue load limit	P <sub>u</sub>	0.26	kN
Reference speed		36000	r/min
Limiting speed		20000	r/min
Calculation factor	k <sub>r</sub>	0.05	
Calculation factor	f	12.2	

## Mass

Mass bearing		0.052	kg
--------------	--	-------	----