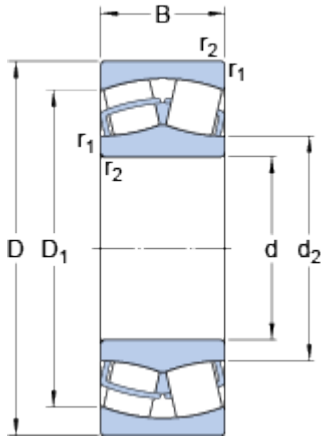


21307 CC

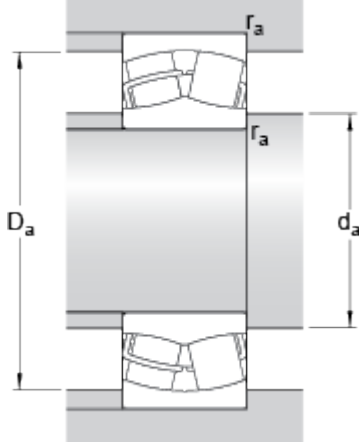
SKF Explorer

Dimensions



d		35	mm
D		80	mm
B		21	mm
d ₂	≈	47.2	mm
D ₁	≈	65.6	mm
r _{1,2}	min.	1.5	mm

Abutment dimensions



d _a	min.	44	mm
D _a	max.	71	mm
r _a	max.	1.5	mm

Calculation data

Basic dynamic load rating	C	79.2	kN
Basic static load rating	C	72	kN
Fatigue load limit	P _u	8.15	kN
Reference speed		7300	r/min
Limiting speed		9500	r/min
Calculation factor	e	0.28	
Calculation factor	Y ₁	2.4	
Calculation factor	Y ₂	3.6	
Calculation factor	Y	2.5	

Mass

Mass bearing		0.55	kg
--------------	--	------	----