

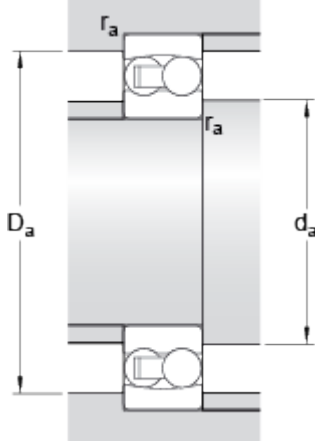
1219

Dimensions



d		95	mm
D		170	mm
B		32	mm
d_1	≈	120.4	mm
D_1	≈	148.1	mm
$r_{1,2}$	min.	2.1	mm

Abutment dimensions



d_a	min.	107	mm
D_a	max.	158	mm
r_a	max.	2	mm

Calculation data

Basic dynamic load rating	C	63.7	kN
Basic static load rating	C	27	kN
Fatigue load limit	P_u	1.2	kN
Reference speed		8000	r/min
Limiting speed		5000	r/min
Permissible angular misalignment	α	2.5	°
Calculation factor	k_r	0.04	
Calculation factor	e	0.17	
Calculation factor	Y	4	
Calculation factor	Y_1	3.7	
Calculation factor	Y_2	5.7	

Mass

Mass bearing		3.1	kg
--------------	--	-----	----

