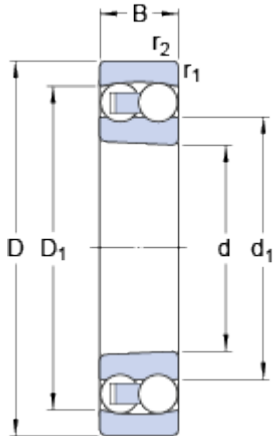


1218 K

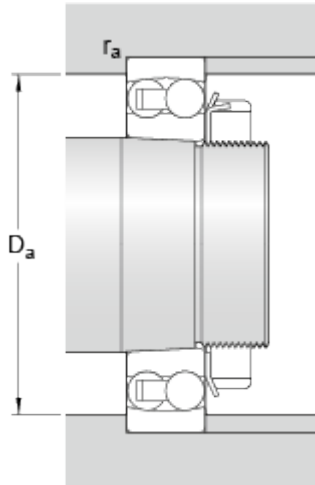
Dimensions



d		90	mm
D		160	mm
B		30	mm
d ₁	≈	112.5	mm
D ₁	≈	138.7	mm
r _{1,2}	min.	2	mm

Tapered bore, taper 1:12

Abutment dimensions



D _a	max.	149	mm
r _a	max.	2	mm

Calculation data

Basic dynamic load rating	C	57.2	kN
Basic static load rating	C	23.6	kN
Fatigue load limit	P _u	1.08	kN
Reference speed		8500	r/min
Limiting speed		5300	r/min
Permissible angular misalignment	α	2.5	°
Calculation factor	k _r	0.04	
Calculation factor	e	0.17	
Calculation factor	Y	4	
Calculation factor	Y ₁	3.7	
Calculation factor	Y ₂	5.7	

Mass

Mass bearing		2.4	kg
--------------	--	-----	----

