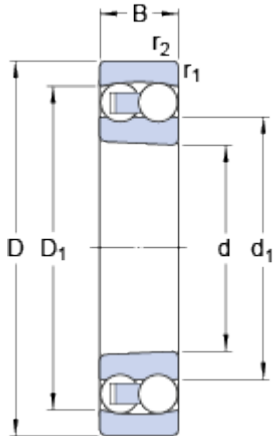


# 1211 EKTN9

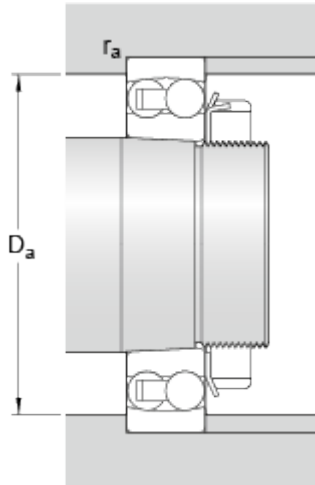
## Dimensions



d		55	mm
D		100	mm
B		21	mm
d <sub>1</sub>	≈	70.3	mm
D <sub>1</sub>	≈	86.5	mm
r <sub>1,2</sub>	min.	1.5	mm

Tapered bore, taper 1:12

## Abutment dimensions



D <sub>a</sub>	max.	91	mm
r <sub>a</sub>	max.	1.5	mm

## Calculation data

Basic dynamic load rating	C	27.6	kN
Basic static load rating	C	10.6	kN
Fatigue load limit	P <sub>u</sub>	0.54	kN
Reference speed		14000	r/min
Limiting speed		9000	r/min
Permissible angular misalignment	α	2.5	°
Calculation factor	k <sub>r</sub>	0.04	
Calculation factor	e	0.19	
Calculation factor	Y	3.6	
Calculation factor	Y <sub>1</sub>	3.3	
Calculation factor	Y <sub>2</sub>	5.1	

## Mass

Mass bearing		0.71	kg
--------------	--	------	----

