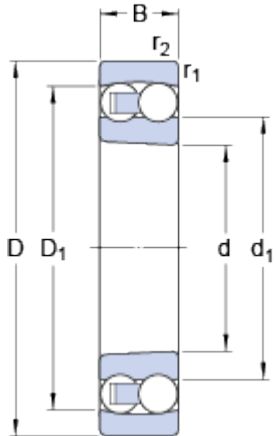


1205 EKTN9

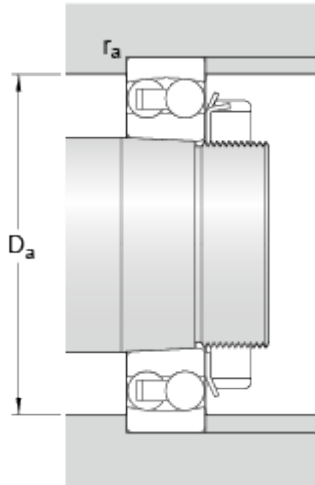
Dimensions



d	25	mm
D	52	mm
B	15	mm
d ₁	≈ 33.3	mm
D ₁	≈ 44.6	mm
r _{1,2}	min. 1	mm

Tapered bore, taper 1:12

Abutment dimensions



D _a	max.	46.4	mm
r _a	max.	1	mm

Calculation data

Basic dynamic load rating	C	14.3	kN
Basic static load rating	C	4	kN
Fatigue load limit	P _u	0.21	kN
Reference speed		28000	r/min
Limiting speed		18000	r/min
Permissible angular misalignment	α	2.5	°
Calculation factor	k _r	0.04	
Calculation factor	e	0.28	
Calculation factor	Y	2.5	
Calculation factor	Y ₁	2.2	
Calculation factor	Y ₂	3.5	

Mass

Mass bearing	0.14	kg
--------------	------	----

