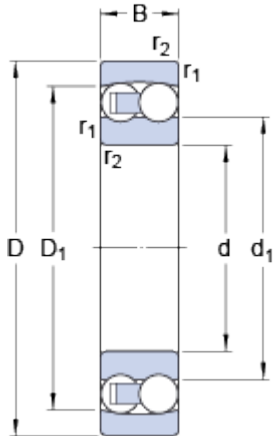


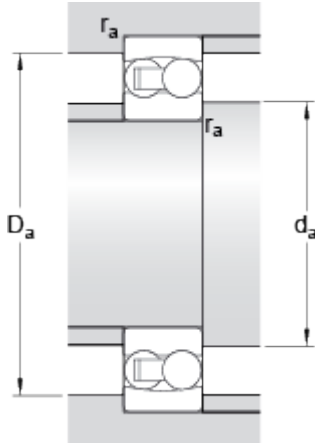
1203 ETN9

Dimensions



d		17	mm
D		40	mm
B		12	mm
d ₁	≈	24	mm
D ₁	≈	32.9	mm
r _{1,2}	min.	0.6	mm

Abutment dimensions



d _a	min.	21.2	mm
D _a	max.	35.8	mm
r _a	max.	0.6	mm

Calculation data

Basic dynamic load rating	C	8.84	kN
Basic static load rating	C	2.2	kN
Fatigue load limit	P _u	0.12	kN
Reference speed		38000	r/min
Limiting speed		24000	r/min
Permissible angular misalignment	α	2.5	°
Calculation factor	k _r	0.04	
Calculation factor	e	0.31	
Calculation factor	Y	2.2	
Calculation factor	Y ₁	2	
Calculation factor	Y ₂	3.1	

Mass

Mass bearing		0.073	kg
--------------	--	-------	----

