

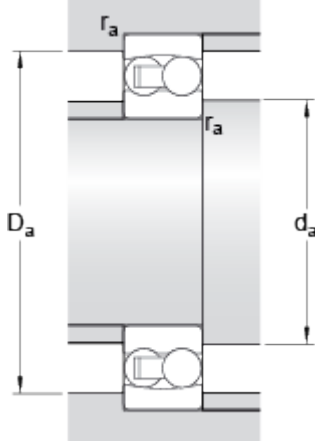
1202 ETN9

Dimensions



d		15	mm
D		35	mm
B		11	mm
d_1	≈	21.15	mm
D_1	≈	28.9	mm
$r_{1,2}$	min.	0.6	mm

Abutment dimensions



d_a	min.	19.2	mm
D_a	max.	30.8	mm
r_a	max.	0.6	mm

Calculation data

Basic dynamic load rating	C	7.41	kN
Basic static load rating	C	1.76	kN
Fatigue load limit	P_u	0.09	kN
Reference speed		45000	r/min
Limiting speed		28000	r/min
Permissible angular misalignment	α	2.5	°
Calculation factor	k_r	0.04	
Calculation factor	e	0.33	
Calculation factor	Y	2	
Calculation factor	Y_1	1.9	
Calculation factor	Y_2	3	

Mass

Mass bearing		0.049	kg
--------------	--	-------	----

