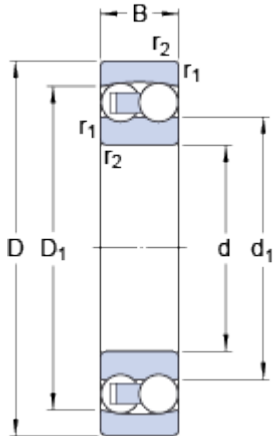


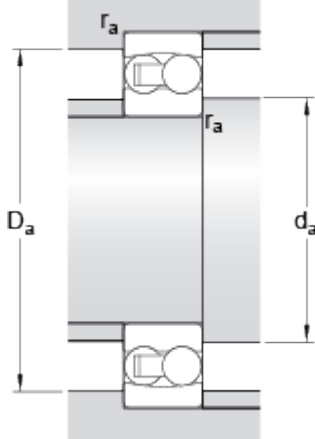
# 1201 ETN9

## Dimensions



d	12	mm
D	32	mm
B	10	mm
d <sub>1</sub>	≈ 18.2	mm
D <sub>1</sub>	≈ 25.7	mm
r <sub>1,2</sub>	min. 0.6	mm

## Abutment dimensions



d <sub>a</sub>	min. 16.2	mm
D <sub>a</sub>	max. 27.8	mm
r <sub>a</sub>	max. 0.6	mm

## Calculation data

Basic dynamic load rating	C	6.24	kN
Basic static load rating	C	1.43	kN
Fatigue load limit	P <sub>u</sub>	0.072	kN
Reference speed		50000	r/min
Limiting speed		32000	r/min
Permissible angular misalignment	α	2.5	°
Calculation factor	k <sub>r</sub>	0.04	
Calculation factor	e	0.33	
Calculation factor	Y	2	
Calculation factor	Y <sub>1</sub>	1.9	
Calculation factor	Y <sub>2</sub>	3	

## Mass

Mass bearing	0.04	kg
--------------	------	----

