

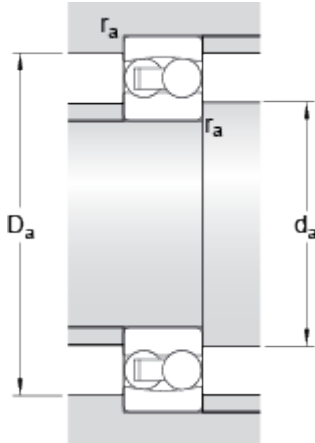
1200 ETN9

Dimensions



d		10	mm
D		30	mm
B		9	mm
d ₁	≈	16.5	mm
D ₁	≈	23.5	mm
r _{1,2}	min.	0.6	mm

Abutment dimensions



d _a	min.	14.2	mm
D _a	max.	25.8	mm
r _a	max.	0.6	mm

Calculation data

Basic dynamic load rating	C	5.53	kN
Basic static load rating	C	1.18	kN
Fatigue load limit	P _u	0.061	kN
Reference speed		56000	r/min
Limiting speed		36000	r/min
Permissible angular misalignment	α	2.5	°
Calculation factor	k _r	0.04	
Calculation factor	e	0.33	
Calculation factor	Y	2	
Calculation factor	Y ₁	1.9	
Calculation factor	Y ₂	3	

Mass

Mass bearing		0.034	kg
--------------	--	-------	----

