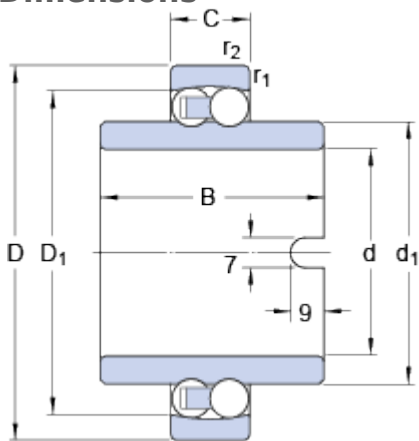


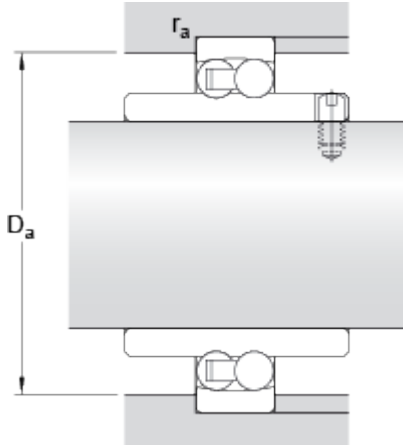
11210 TN9

Dimensions



d	50	mm
D	90	mm
B	58	mm
C	20	mm
d ₁	≈ 61.7	mm
D ₁	≈ 78.1	mm
r _{1,2}	min. 1.1	mm

Abutment dimensions



D _a	max. 83	mm
r _a	max. 1.1	mm

Calculation data

Basic dynamic load rating	C	26.5	kN
Basic static load rating	C	9.15	kN
Fatigue load limit	P _u	0.475	kN
Reference speed		11000	r/min
Limiting speed		4300	r/min
Permissible angular misalignment	α	2.5	°
Calculation factor	k _r	0.04	
Calculation factor	e	0.21	
Calculation factor	Y	3.2	
Calculation factor	Y ₁	3	
Calculation factor	Y ₂	4.6	

Mass

Mass bearing	0.85	kg
--------------	------	----

