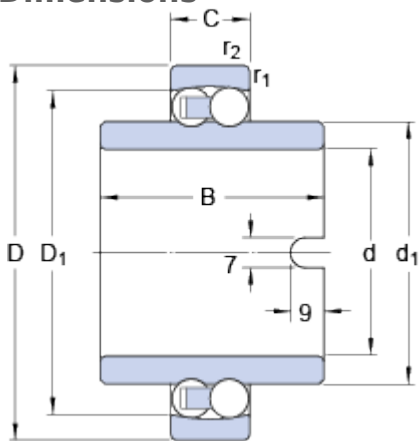


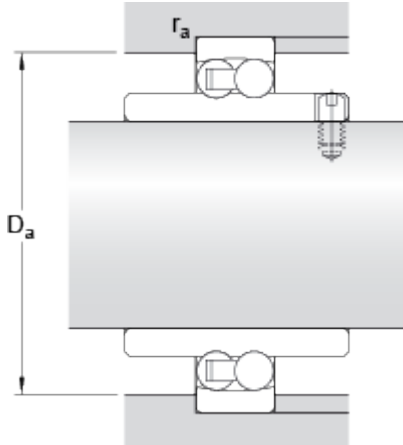
11208 TN9

Dimensions



d	40	mm
D	80	mm
B	56	mm
C	18	mm
d ₁	≈ 54	mm
D ₁	≈ 67.5	mm
r _{1,2}	min. 1.1	mm

Abutment dimensions



D _a	max. 73	mm
r _a	max. 1.1	mm

Calculation data

Basic dynamic load rating	C	19	kN
Basic static load rating	C	6.55	kN
Fatigue load limit	P _u	0.335	kN
Limiting speed		5000	r/min
Permissible angular misalignment	α	2.5	°
Calculation factor	k _r	0.04	
Calculation factor	e	0.22	
Calculation factor	Y	2.8	
Calculation factor	Y ₁	2.9	
Calculation factor	Y ₂	4.5	

Mass

Mass bearing	0.72	kg
--------------	------	----