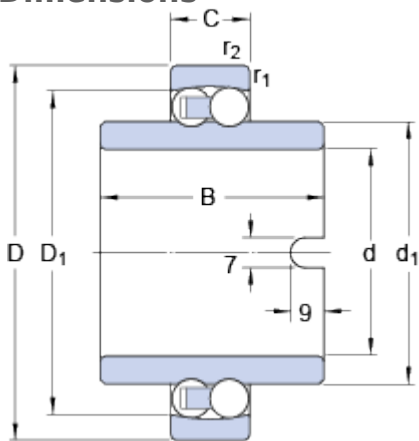


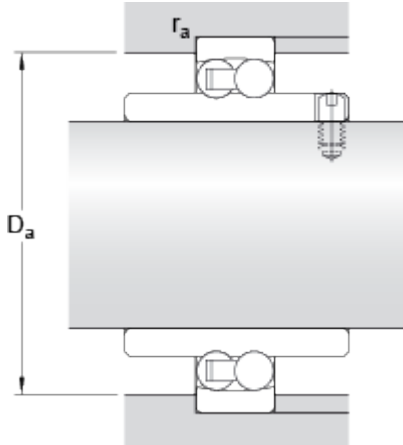
11207 TN9

Dimensions



d	35	mm
D	72	mm
B	52	mm
C	17	mm
d ₁	≈ 47	mm
D ₁	≈ 60.9	mm
r _{1,2}	min. 1.1	mm

Abutment dimensions



D _a	max. 65	mm
r _a	max. 1.1	mm

Calculation data

Basic dynamic load rating	C	19	kN
Basic static load rating	C	6	kN
Fatigue load limit	P _u	0.305	kN
Reference speed		14000	r/min
Limiting speed		5600	r/min
Permissible angular misalignment	α	2.5	°
Calculation factor	k _r	0.04	
Calculation factor	e	0.23	
Calculation factor	Y	2.8	
Calculation factor	Y ₁	2.7	
Calculation factor	Y ₂	4.2	

Mass

Mass bearing	0.54	kg
--------------	------	----

