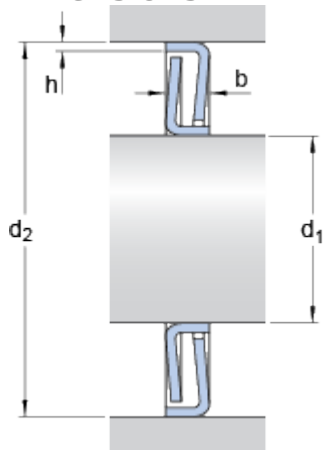


Z 204

Dimensions



d_1	20	mm
d_2	47	mm
b	5	mm
h	1.25	mm

Mass

Mass	29.5	g
------	------	---

Appropriate products

Appropriate spacing washer on the shaft	ZW 20x28
Appropriate spacing washer in the housing	ZW 40x47