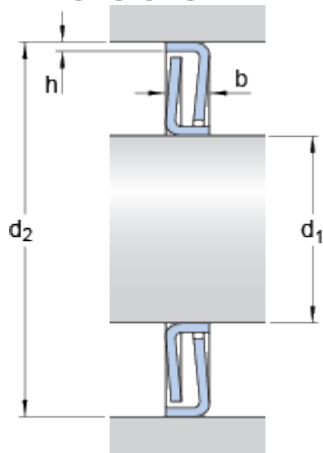


# Z 012

## Dimensions



$d_1$	60	mm
$d_2$	95	mm
$b$	6	mm
$h$	1.5	mm

## Mass

Mass	110	g
------	-----	---

## Appropriate products

Appropriate spacing washer on the shaft

[ZW 60x68](#)